

WRBT 2000 K-90-B12

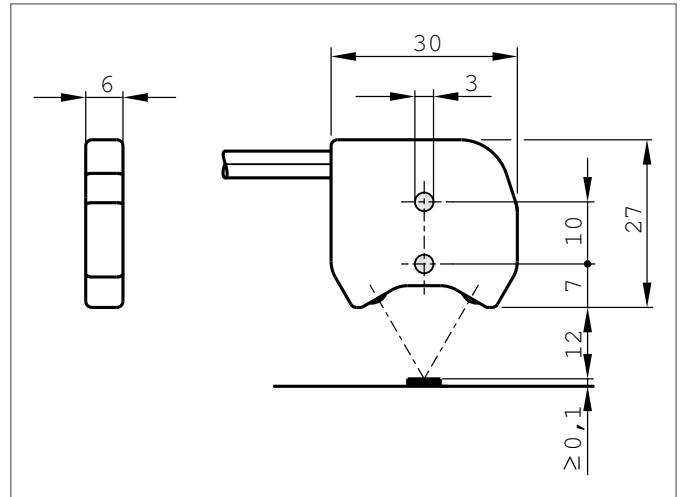
Plastic fiber optic

- Fixfocus
- Highly precise detection
- Small bending radius



Safety instructions

The Instruments are not to be used for safety applications, in particular applications in which safety of persons depends on proper operation of the instruments.
These instruments shall exclusively be used by qualified personnel.



TECHNICAL INFORMATION (typ.)

Operating principle	Diffuse reflective sensor
Length	2.000 mm, (fibre optic cable)
Light outlet	radial
Single fibre-optics	Ø 2,2 mm
single fibre	Ø 2,2 mm, (151 x 0,075 mm)
Bending radius	> 2 mm
Temperature resistance	-25 ... + 70 °C
Protection class	IP 67
For	Amplifier for plastic fiber optics
Material	PBT (Sensor probe) polymethyl methacrylate (Fibre) PE (Cladding)